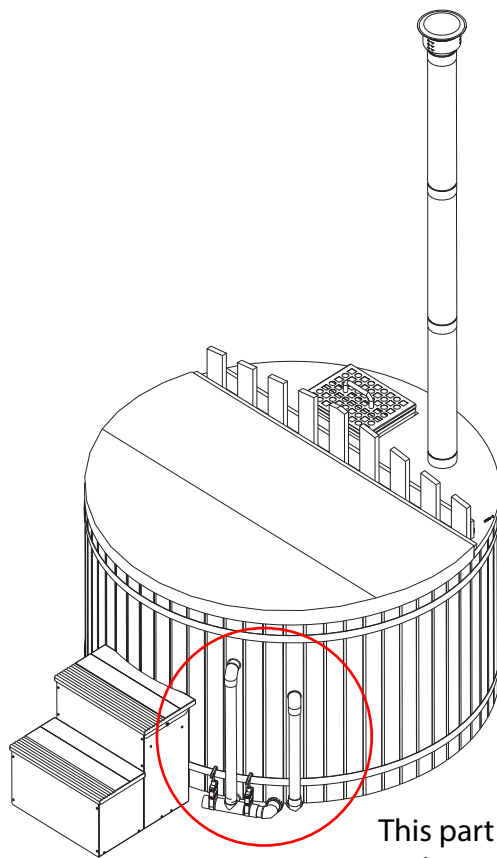


SPA HOT TUB



This part is not shown on page 4 and 7




Hot tub assembly instruction

Instructions





Before beginning assembly , carefully read the following information and instructions:

- Place all parts in a cleared area and remove the packing materials from the box, do not dispose of the packing material until assembly is completed.
- Assembly requires 1 to 2 people, for 2 to 4 hours.
- Prepare necessary tools that are required for assembling, see below.
- For the small parts used in assembly, see the part list below.
- During assembly, make sure that all parts are oriented as shown in the drawings.

1. Tools we provided

Plastic Hammer ×1	Silicon	Silicon Gun
		

2. Tools you need to prepare

Power Drill × 1	Adjustable Wrench × 2	Inner Hexagon Spanner × 1	Pencil × 1
			

3. All parts screw list (Please see next page)

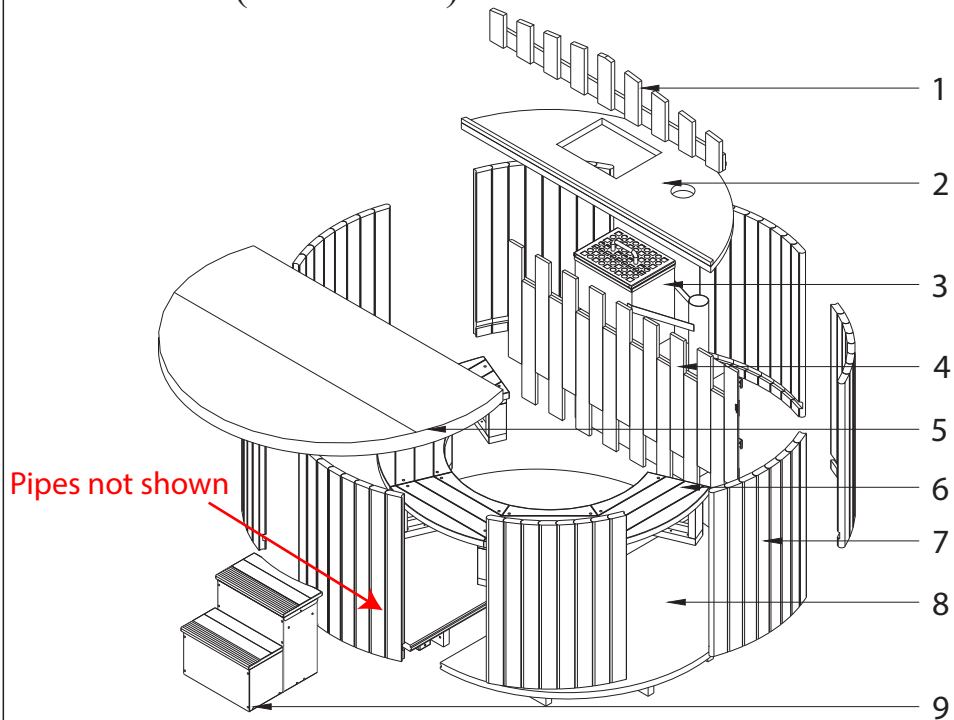
**All parts Screw List
(for the hot tub with fence)**

NO.	Component	Screw size	Unit	Model / Screw numbers								
				5x3	5x3.5	5x4	6x3	6x3.5	6x4	7x3	7x3.5	7x4
1	Base Connector	M8x100	Pcs	14	14	14	19	19	19	19	19	19
2	Bands	M12x180	Pcs	\	\	\	4	4	6	4	4	6
3		M12x250	Pcs	2	2	3	\	\	\	\	\	\
4	Bench top	M6x75	Pcs	20	20	20	20	20	20	24	24	24
5	Bench feet	M5x60	Pcs	24	24	24	24	24	24	28	28	28
6	fire box	ST6X35	Pcs	8	8	8	8	8	8	8	8	8
7	Fence hinge	M3x16	Pcs	8	8	8	8	8	8	8	8	8
8	Lower fence connector	M5x30	Pcs	24	24	24	24	24	24	24	24	24
9	Upper fence fitting	M5x50	Pcs	5	5	5	5	5	5	5	5	5
10	Fire box cover	M5x50	Pcs	4	4	4	4	4	4	4	4	4
11	Step	M5x60	Pcs	18	18	24	18	18	24	18	18	24
12	Step bracket	60x60x50	Pcs	2	2	2	2	2	2	2	2	2
13	Step bracket screw	M5x30	Pcs	10	10	10	10	10	10	10	10	10

**All Parts Screw List
(for the hot tub without fence)**

NO.	Component	Screw size	Unit	Model / Screw Numbers								
				5x3	5x3.5	5x4	6x3	6x3.5	6x4	7x3	7x3.5	7x4
1	Base Connector	M8x100	Pcs	14	14	14	19	19	19	19	19	19
2	Bands	M12x180	Pcs	\	\	\	4	4	6	4	4	6
3		M12x250	Pcs	2	2	3	\	\	\	\	\	\
4	Bench top	M6x75	Pcs	36	36	36	32	32	32	36	36	36
5	Bench feet	M5x60	Pcs	36	36	36	32	32	32	36	36	36
6	Step	M5x60	Pcs	18	18	24	18	18	24	18	18	24
7	Step bracket	60x60x50	Pcs	2	2	2	2	2	2	2	2	2
8	Step bracket screw	M5x30	Pcs	10	10	10	10	10	10	10	10	10

The model of the hot tub showed in the diagrams of this instruction for reference:
6x3.5 (with fence)



1-Upper fence; 2-fire box cover; 3fire box; 4-lower fence; 5-Insulation cover;
6-Bench; 7-Stave; 8-Base; 9-Stair **Pump, electric heater, ozonator and filter-house not mentioned**

There are 6 basic steps to fully assemble your hot tub

Step One: Assemble the base

Step Two: Assemble the tub wall and fit the bands

Step Three: Install the fire box and lower fence

Step Four: Assemble the bench seating

Step Five: Assemble the stair

Step Six: Assemble the fire box cover and upper fence

Step one- Assemble the base

1. Place the two base halves upside down and interlock together.

Hint: If having trouble interlocking the 2 base halves together, make sure that one end is interlocked together and bolt this end together through the bottom fastening piece as shown. Once the bolt has been tightened, 'wiggle' the 2 base halves gently up and down slightly and the 2 base halves should gradually join together.

2. Place the base connector pieces of wood in line with the holes on the base struts.

3. Insert the M8x100LM into the base connector pieces of wood and tighten.


4. Insert the M8x100LM into the bottom fastening pieces and tighten.

5. Connect the supplied flexible drain hose to the drain, making sure the rubber seal is correctly fitted.

6. Carefully flip the base over and lay onto your desired position.

7. We recommend your wooden hot tub to sit either on a wooden deck designed to carry the heavy weight or to sit on a solid concrete pad, paving slabs or crushed rocks with a sand base.

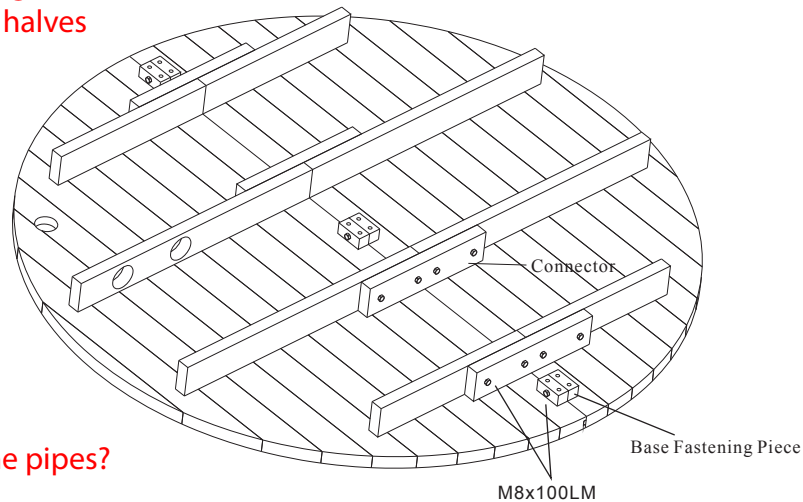
PARTS:

NO.	Component	Screw size	PIC
1	Base Connector	M8x100	

TOOLS:



No mentioning of silicone between the halves



Where are the pipes?

Step 2. Assemble the tub wall & fit the bands

Hint: *Unwrap and place the firebox onto the centre of the base before building the hot tub wall. This saves having to lift the heavy firebox over the hot tub wall later on.*

1. • Apply some silicon sealant in the position shown in the diagram on the next page, to each stave before placing into position.
2. • Start with placing the stave with the semi-circle hole over the top of where the flexible drain hose comes out from underneath the tub.
3. • Angle the next stave into the previously fitted stave
 - Gently tap with the rubber mallet, firstly tapping the side of the stave so that it fits up tightly against the previous stave, then tapping on the outside of the stave placing in tightly up against the hot tub base. Alternate between tapping on the side and the outside of the stave until it fits snugly together and there are no gaps. Make sure that the whole length of the stave is in line with the previous stave in the upright position otherwise the bottom piece of the stave could break off if tapped too hard on the wrong angle.

Hint: *Place something gently up against the hot tub wall to help keep the staves in place if they seem a bit loose.*

4. • After gradually working your way around with placing all the staves onto the base, the hot tub wall has now been formed.
5. • Carefully unwrap the stainless steel bands.
 - Join the 2 band pieces together to form one length, making sure that you have the correct pieces joined together-1 short length and 1 longer length for the medium hot tubs for example.
 - Ideally with the help of 2 people with each person holding one end of the band, walk around the hot tub and place the band around at the bottom of the hot tub.

Hint: *Place something suitable on the ground under the tub wall to stop the band from falling down and going under the hot tub.*


- Slowly tighten the band just enough to hold it in position at the base of the hot tub

- Slowly tighten the band making sure that it is level all the way around and in line or just above the point where the tub base fits into each stave.
6. • Place the remaining bands around the hot tub making sure that the top band is approximately 20-30cm from the top of the wall and the centre band is equal distance between the top and bottom bands.
- Alternate between tightening the different bands and stopping occasionally to walk around the hot tub 'wiggling' the staves to make sure they are closing up tightly together. A creaking sound of the wood shows that the hot tub is tightening together.
 - Don't over tighten the bands as once the hot tub is filled with water, this will cause the wood to swell up and expand forming a tight seal.

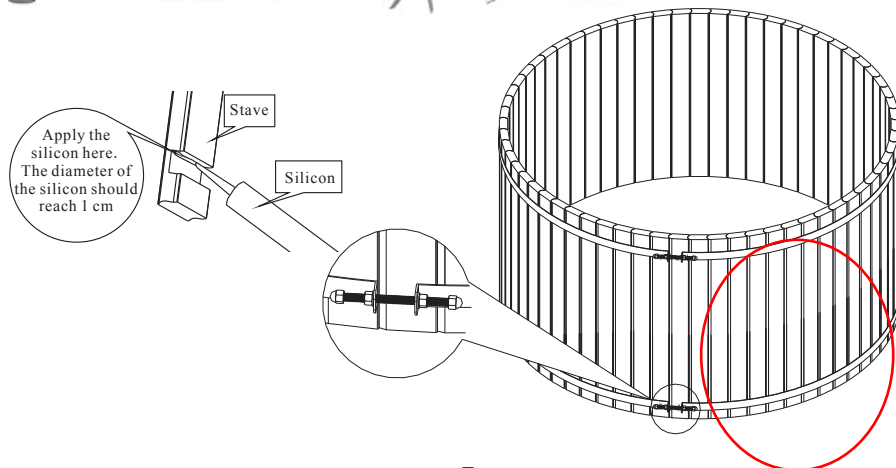
Hint: If your hot tub is being set up close to the sea, a simple way to protect the bands from the harsh sea air and to stop the speckled appearance of surface rust appearing is to apply a coat of varnish to retain the shiny look.

The bolts may appear to rust after a relatively short while but this is only surface rust which doesn't make the bolts any weaker.

PARTS:

NO.	Component	Screw size	PIC
1	Bands	M12x180 or M12x250	

TOOLS:



- 7 -
Pipes for pump, thermostat etc. not mentioned.
Staves with holes not mentioned.




Step 3. Assemble the firebox and lower fence

1. • Carefully unpack the firebox and all the accessories from it's box and lift into the hot tub if you already have not done this.
 - Before screwing down the firebox, make sure you have it in the correct position.

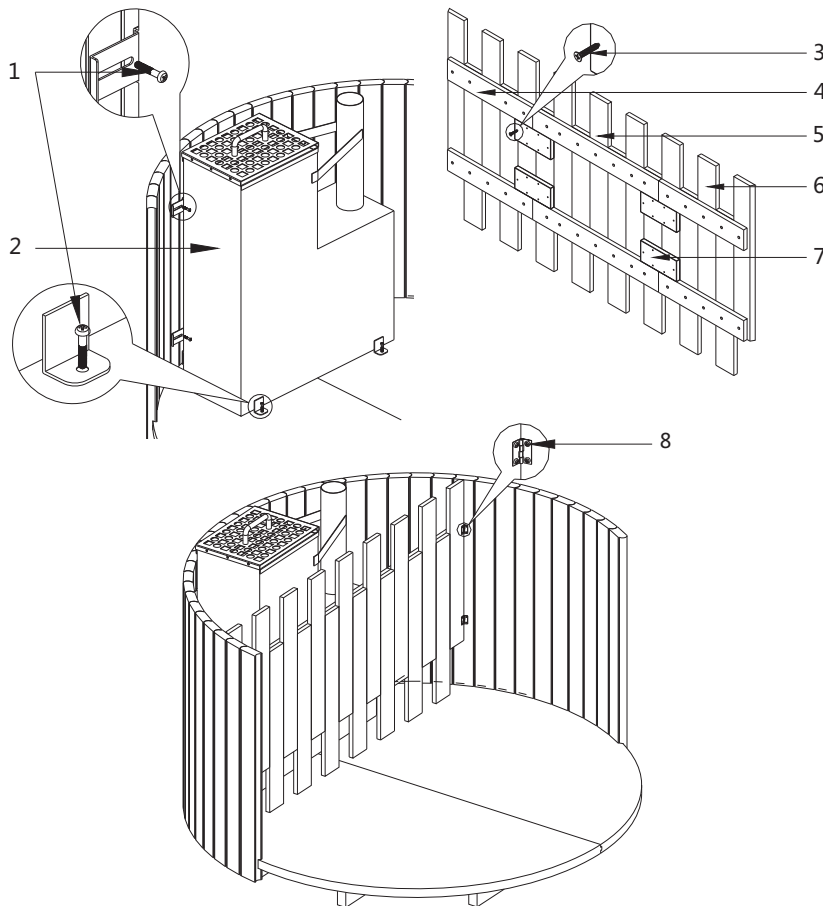
Hint: Use the firebox wooden cover to determine the correct position of the fire box.

- Position the fence and the firebox cover so that they all fit correctly and evenly together making sure that the drain plug is located just on the outside of the fence for easy access. Make sure that the drain is not going to be underneath where the bench feet for the seat will be located.
 - Also, double check to make sure there is an even gap around the 2 cut out holes for the flue and firebox lid on the firebox covers.
 - Screw down the firebox and fence.
2. • Screw the rain cap to the top of the chimney, then fit together the flue pipes then connect to the firebox. Be very careful of fingers while doing this!!
 - Place the heat shield into the correct position by undoing the small screw on the heat shield then re-tightening when in your desired position.
 - It is recommended to take down the flue pipes when your hot tub is not in use and to cover the opening in the firebox. This helps to keep any rain water out of the firebox and also stops the flue from blowing over in situations of high winds.
 - A exhaust sealant can be applied to the flue joins. This helps to keep a water-tight seal and helps to keep any rain water out.

PARTS:

NO.	Component	Screw size	PIC
1	Lower fence connector	M5x30	
2	Lower fence hinge	M3x16	
3	Fire box	ST6x35	

TOOLS:



1-ST6x35; 2-fire box; 3-M5x30; 4-lower fence (left) ;
 5-lower fence (middle) ; 6-lower fence (right) ; 7-lower fence connector;
 8-M3x16;



Step 4. Assemble the bench seating

- Assemble the seats to the bench feet pieces making sure the 2 screw holes on the bench feet are at the front and that the seat is correctly positioned as shown in the diagram below.

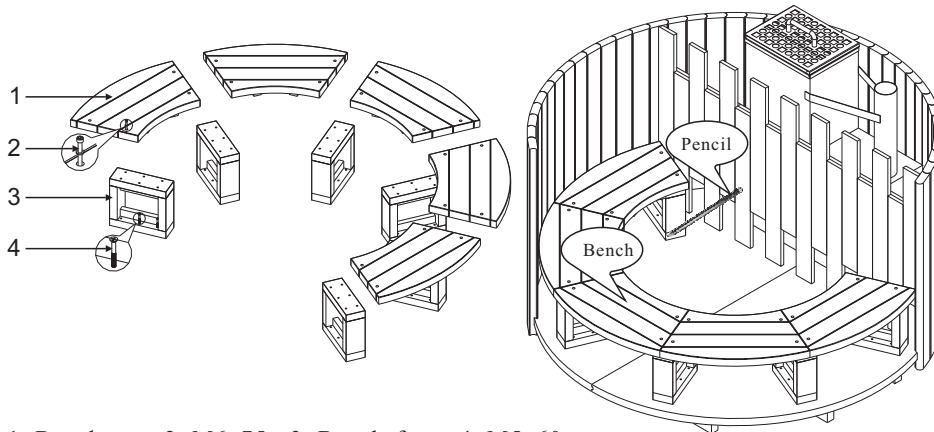
Hint: When bolting the seats to the bench feet, use an Allen/hex key to turn the M6 x 75 bolt piece on the top while using a socket piece to hold the nut in place underneath. If you do not have a socket set, simply insert a screwdriver up underneath to hold the nut in place as you turn the bolt piece.

- Place all the assembled bench seats in the correct position inside the hot tub making sure that the 2 screws on the bench feet are facing towards the centre of the hot tub.
- When all the bench seats are in the correct position, screw them down.

PARTS:

NO.	Component	Screw size	PIC
1	Bench top	M6x75	
2	Bench feet	M65x60	

TOOLS:



1-Bench top; 2-M6x75; 3-Bench feet; 4-M5x60



Hint: To adjust the seat height so that the most enjoyable water level for young and old is achieved, simply place blocks of wood under the bench feet and screw down. Try using the hot tub first to determine the best height then empty and re-screw the seats into the desired height for optimum enjoyment.

Step 5. Assemble the stair

1. • Assemble the stair as shown in the diagram below.

- In the photos shown below, to get the correct position and to keep the steps square, lay flat on level ground then screw in the screws.

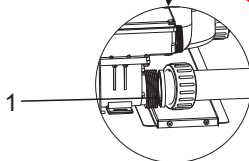
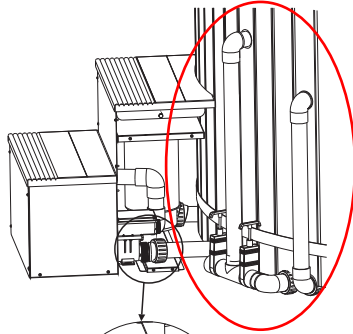
PARTS:

NO.	Component	Screw size	PIC
1	Step	M5x60	
2	Step bracket screw	M5x30	
3	Step bracket	60x60x50	

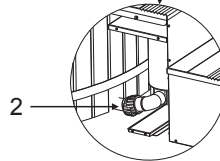
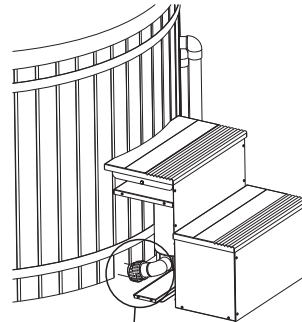
TOOLS:



Are there two pipes?
There is no connection to
the oven, since there
is no water IN the oven.



1-Connect pipe to the thermostat;



2- connect pipe to the filter system;



Congratulations-your hot tub is now assembled!!!

You can use a fine sandpaper (120 grade for example) to sand away any marks that you may find on your hot tub.

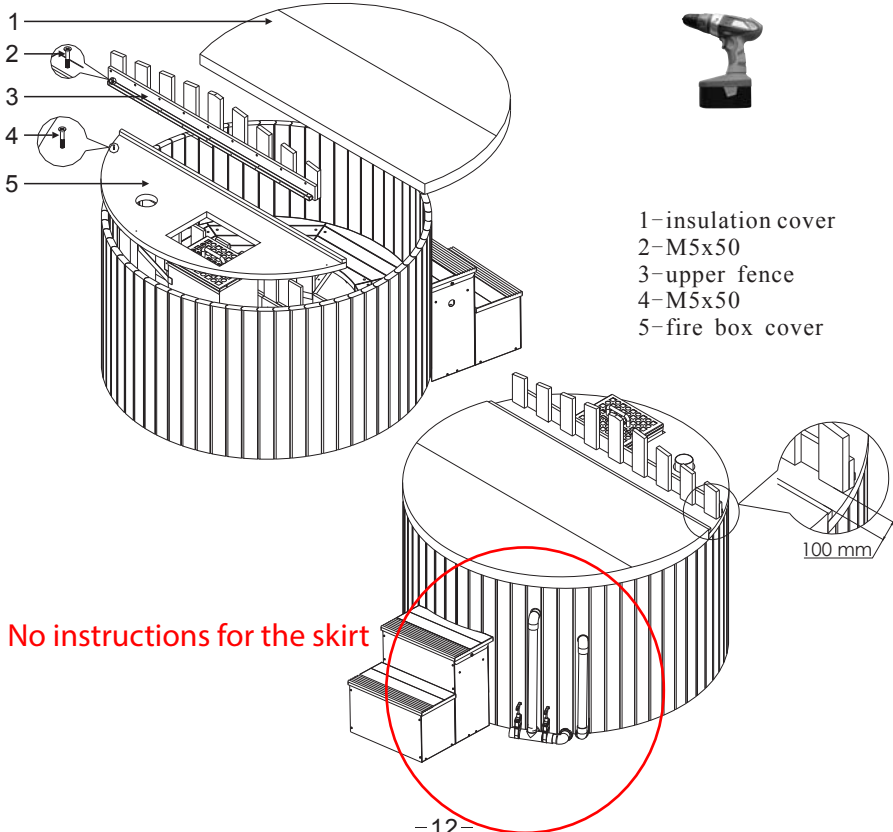
Step 6. Assemble the fire box cover and upper fence

- Assemble the fire box cover as shown in the diagram below.
- Put the upper fence on top of the cover, then insert the M5 X 50 screws.

PARTS:

NO.	Component	Screw size	PIC
1	upper fence fitting	M5x50	
2	Fire box cover	M5x50	

TOOLS:

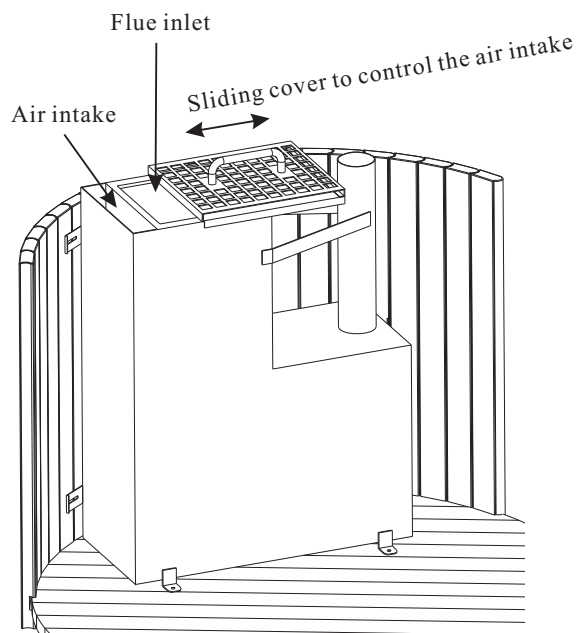


- 1-insulation cover
- 2-M5x50
- 3-upper fence
- 4-M5x50
- 5-fire box cover

No instructions for the skirt

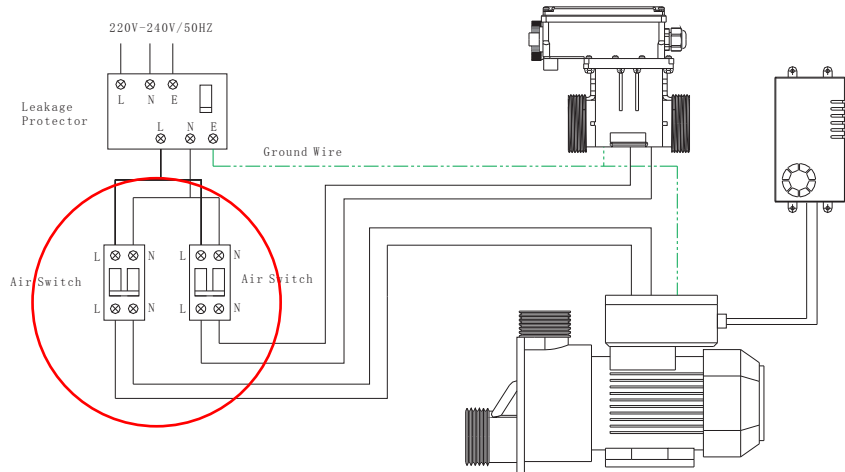
How to use the Firebox?

- Using the supplied ash scoop, empty any excessive amounts of ash by simply lifting up the hinge-mounted fire grate at the bottom of the fire box. Also make sure that there are no blockages in the air intake.
- Prepare paper and dry kindling wood on the grate then light the fire, slowly building it up with small split pieces of firewood. Keep the fire box lid on top with the air intake open and check fire very 20 minutes or so.
- Always make sure that the firebox is completely surrounded by water before lighting the fire otherwise it may buckle.
- Regularly check the water temperature and close the air vent when you reach your desired temperature. After a few attempts at heating up the water, you will get to know the best method and time for your hot tub to be at your desired temperature.
- If the fire is managed correctly and built up steadily, then a minimal amount of smoke will be produced. Smoke occurs when there is insufficient heat to burn off all the gases.
- The firebox burns best with dry wood.
- **DO NOT USE COAL.** As the stove is underwater, it's surface temperature isn't high enough to burn off excess tar in the burner.



■Wiring Diagram

There is only one
pneumatic switch



◆Wiring instruction

1. Electrician responsible for power line layout shall hold the official electrician license.
 2. Power requirement: 16A 220-240V 50Hz.
 3. Power lines selected shall be no less than 4 square millimeter.
 4. Power socket shall be at least 30CM above the ground.
 5. Power socket shall be installed in a place away from rain, preferably in an electric box.
 6. Water pump housing shall be grounded;
- ※Electrician responsible for power line layout shall hold the official electrician license, or otherwise the manufacturer and distributor shall bear no liability for any economic loss thereby or legal responsibility.

Cleaning and Maintenance

◆ Replacement of filter paper element

1. Replace filter paper element while water pump is working;
2. Stop using heating stove one hour before filter paper element replacement, or otherwise water tank of stove would be exploded;
3. Turn off pipeline valve;
4. Unscrew the exhaust port of filter cask (the small nut on the top of filter);
5. Unscrew the locknut on filter cask;
6. Remove the lid of filter cask and replace filter paper element;
7. Put filter cask lid in place and tighten locknut;
8. Turn on pipeline valve to discharge air from filter cask;
9. After discharge air from filter cask, tighten exhaust port;
10. Operation is finished.

◆ Cleaning and maintenance

Cleaning and maintenance is critical to the of products, that would determine the product appearance and usage experience and provide you pleasant bathing experience.

△ Surface cleaning

Dirt on wood surface should be removed timely since dirt absorbed by wood with strong adsorption capacity would not be easily removed; for surface dirt, wipe it first with clean water and cotton cloth and, if it is difficult to be removed, scrub with banister brush and neutral cleaning agents. Never use acid cleaning agents and hard brushes which will cause irreversible damage to paint.

△ Paint (if any) maintenance

These products are wooden bathtubs painted with natural wax oil rather than closed painting, maintain the texture and touch of wood and the natural scent of red cedar (released during hot water immersion).

Wax oil, the protective paint to maintain wooden bathtub perennial bright as new, adds no any chemicals, needs to be repainted once every or half a year to protect the wood against exterior damage;

Applying wax oil is quite easy and can be carried out at home as per following steps:

1. Apply wax oil on sunny days;
2. Drain water completely from the barrel and let it dry 3-5 days (sunny days);
3. "Anti-UV Wax Oil" is preferable;
4. Clean surface with dry cotton cloth;
5. You may paint with brush or cotton cloth (the latter is recommended). Wipe out surplus paint on surface with cotton cloth 20-30 min after painting while paint is still wet. The product would be ready for normal use after 24h.

△ Maintenance at low temperature

Water in pipelines would be frozen when it is below 0°C, in such case we may discharge water from pipelines to prevent pipeline break caused by freezing water.

Frequently asked questions

1. How long does it take to get the water up to temperature?

Heating the water up to around 40C takes on average 1.5 – 2 hours (gas or wood-fired). When covered with the supplied lockable heat retention cover, the water remains hot overnight with no additional heating required to enjoy your hot tub the next morning. Only a quick heat up is required later on in the day to boost it back up to the required temperature.

2. How do you keep the water clean?

Many of our tub owners opt for hot tubbing which involves draining the tub more regularly after use, then giving it a quick clean and refilling when needed. There are many other water treatment options available now days including chlorine-free treatments such as blue crystal and bromine tablets placed in a dispenser. You can purchase a pump with filter (for gas or wood-fired hot tubs) if desired.

3. Is there any colour leakage from the wood?

Initially yes. For the first few fills and especially the first one, the tannin in the wood (which gives whiskey its colour in whiskey barrels) leaches out into the water. The water will appear brown but is in no way harmful and in fact is very aromatic but with progressive water changes this leaching will gradually disappear.

4. Are wooden tubs hard to clean and maintain?

Absolutely not. To clean a hot tub all you have to do is drain the water, scrub the inside with a soft brush while it's still wet and rinse it out. If desired they can be gently scrubbed with a mild bleach/water solution.

5. How difficult is it to assemble?

Our installation instructions are written with do-it-yourself installers in mind and takes you step-by-step through the basic hot tub assembly process. Total installation time is about 3-4 hours and generally requires the help of 2 people. Our hot tubs are not really too difficult to assemble. It's a nice sense of achievement and actually quite satisfying and fun to assemble one.

6. Can the outside of the wood tub be treated with anything?

We recommend to use a wood oil which is water-repellent, non-filming and a good timber protector that protects and reduces the effect of mould and decay. A birch colour oil or natural colour looks best and makes the hot tub a lovely colour.

However, the outside of a wooden hot tub doesn't actually require any type of treatment and nothing is required to extend its life. As with any type of wood, over time it will bleach out to a lovely silver colour if you let it.

Nothing should be applied to the inside of the hot tub.

7. How do you control the temperature of the water?

To increase the water temperature, open the air vent on top of the fire box which lets more air through to the fire. Close the air vent when the desired temperature is reached.

8. Can I use other fuels other than wood?

No. Only dry wood can be used.

9. Will the wood shrink in a dry summer if the tub isn't used?

Yes, if left empty and without a cover on.

We recommend (after draining and cleaning) that you refill the tub with about 20cm of water.

10. Will the hot tub leak?

Expect your hot tub to leak a little for up to 2 weeks initially. Red Cedar being a softwood will eventually swell up and any leaks will eventually disappear over time.

You may get quite a lot of leakage around the heavier, darker coloured staves because this harder piece of cedar takes a little longer to swell up.